



# Precision Flow Meter for Laboratory (with Stand for Precision Flow Measurement)

## MODEL 1350 SERIES

The easy-to-handle RK1350 Series for laboratory use is ideal for high-precision measurement and control of very small flow.

### Features

- Calibration with actual standard gases for high-precision flow control.
- Control of very small flow
- Measurement of wide-ranging flow from 0.5–5 ML/MIN to 3–30 L/MIN
- The flow meters come in four types with total length of 126, 156, 206, or 256 mm.

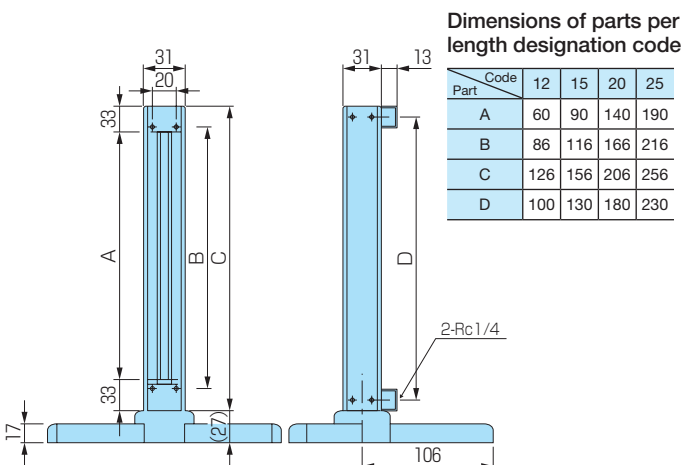


RK1350 VD

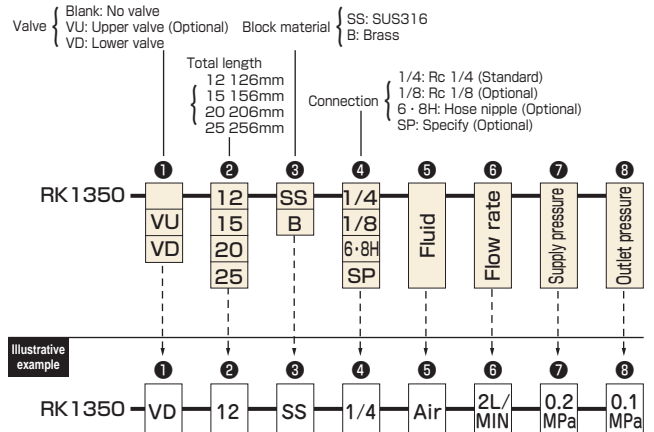
### Standard Specifications

	Gas	Liquid
Fluids	Air, N <sub>2</sub> , O <sub>2</sub> , H <sub>2</sub> , He, Ar, CO <sub>2</sub> (Calibration with actual gas) For other gases, please consult us regarding conversion conditions or calibration with the actual gas to be used. * Option: Scales for two types of fluids	Standard fluid (Water) For other liquids, please consult us regarding conversion conditions or calibration with actual liquid to be used.
Flow range	0.5-5ML/MIN to 3-30L/MIN (Refer to the Capacity List on page 55.) * Option: 0.5-3 ML/MIN	0.5-5ML/MIN to 0.1-1L/MIN (Refer to the Capacity Table on page 55.) * Option: 0.5-3 ML/MIN
Accuracy	FS ±2% (Measurement point) * Option: FS ±1% (Measurement point)	FS ±2% (Measurement point)
Proof pressure	100 ML/MIN or less: 1.0 MPa 5 L/MIN or less: 0.7 MPa 10 L/MIN or more: 0.5 MPa	5 ML/MIN or less: 1.0 MPa 150 ML/MIN or less: 0.7 MPa 200 ML/MIN or less: 0.5 MPa
Available scale	10:1 * Option 20:1	
Material	SS	BS
Body block	SUS316	Brass
Tapered tube	Pyrex <sup>®</sup> , glass	
Packing	FKM	NBR
Float	Pyrex <sup>®</sup> , SUS316, glass	
Protective cover	Acrylic resin	
Temperature resistance	MAX60°C	
End connection	Rc 1/4 (Standard), Rc 1/8 (Optional)	

### Dimensions



### Ordering



\* Refer to "Ordering" and "Illustrative example" when placing an order or requesting a quotation. Fill in the blanks in the "Order/Quotation Request Card" at the end of the catalog, and send the card by fax.