

Multi-function intelligent model

New gas mixer

BRENDA

Series

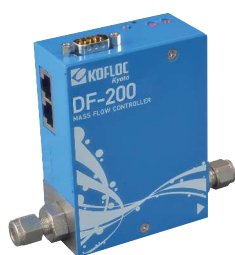
Gas Blender



Features

The BRENDA series has been fitted with the DF-200 series high-performance digital mass flow controller developed in-house. This has made it possible to produce mixed gas with more accurate gas mixture ratios than previous devices. The adoption of an 8-inch touch panel has also simplified mixed gas density and flow settings. The BRENDA series, which also has a full range of functions, comes standard-equipped with VNC server function, making remote operation through networks and remote control at mobile terminals through wireless access points possible.

High-performance digital mass flow controller adopted —Supplying high quality mixed gas—



In-house production of mixed gas at desired gas mixture ratios is possible.

Flow precision

±1% R.D.~

Responsiveness

within 1 second for all flow ranges

Fitted with a touch panel

Anybody can easily set and confirm the status of gas mixture ratios while viewing the touch panel screen.



Ratio setting mode

It is possible to automatically calculate and control gas flow for each line by just setting gas mixture ratios and mixed gas flow.

Step mode

Program operation with pre-set conditions is possible. A maximum of nine steps for gas flow and time pre-settings are possible.

VNC server function added

Remote operation through networks and remote control at mobile terminals through wireless access points are possible.

Data logging compatible

Sampling cycles can be set to record operation status. Registered data can be extracted via the USB port in the device.

Various functions added

Safety function

An emergency shutoff valve has been fitted to the mixed gas exit, making it possible to cut off the gas manually with the emergency shutoff switch, and there is also an automatic shutoff function in response to alarm setting values.

Setting authority

All settings can be made into authorization settings requiring a password.

Lower and upper limit settings

Lower and upper limits can be set for flow and pressure for each line.

Flow integration function

Integrated gas volume can be displayed for each line, which is convenient for grasping how much is left in the cylinder.

Specifications

TYPE	2-line	3-line	4-line
Model	BR-2C	BR-3C	BR-4C
Control system	Control with a thermal mass flow controller ^{*1}		
MFC precision	±1% R.D.~ ^{*2}		
MFC responsiveness	Within 1 second for all flow ranges		
Compatible gas	Air, N ₂ , O ₂ , He, Ar, CO ₂ , H ₂ , (also compatible with corrosive gas and combustible gas) ^{*2}		
Flow range	10sccm to 50SLM for one line (but mixed gas flow of 100SLM or less) ^{*2}		
Pressure resistance	980kPa		
Connection diameter	IN:Rc1/4 OUT:Rc1/4		
Surrounding temperature/humidity	5 to 50°C (system guarantee: 5 to 35°C) / 10 to 80% RH		
Device dimensions W×D×H(mm)	380×390×330	480×390×330	
Device weight(kg)	30	37	40
Electricity consumption(kW)	0.1		
Power supply voltage	AC100~240V 1φ 50/60Hz		

*1 Gas mixture ratios are based on the combined method with volumetric flow ratio.

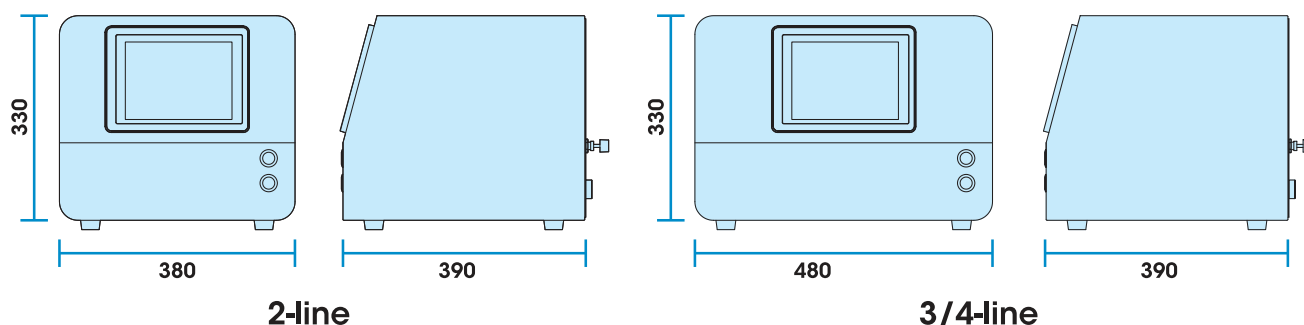
*2 Please feel free to contact the relevant staff at our company regarding detailed specifications for gas type and flow range.

* For overseas specifications or special specifications not in our catalogue, please contact relevant staff at our company.

* Product improvements may lead to specifications changing without notice.

* This equipment does not conform to CE and RoHS directive at the moment.

Exterior view



Applications

Heat treatment

Manufacture of functional gas

Bonding, soldering

Manufacture of foaming gas

Food products

Manufacture of mixed gas for food product packaging

Laser

As assist gas for excimer laser, laser beam welding and laser fusing

Analysis

Manufacture of standard reference gas and calibration gas



www.kofloc.co.jp

Head office in Kyoto
(Oversea office)

1-3 Atenoki Kusauchi Kyotanabe Kyoto 610-0311
Tel: 81-774-62-4411 (key number) Fax: 81-774-63-5041

Yawata factory

25.kouzuyahattyou.yawata Kyoto 614-8184
Tel: 075-983-3500 Fax: 075-983-3501

Tokyo Office

Ningyoucho First Bldg.1F
3-3-6 Nihonbashi Ningyoucho Chuo-Ku, Tokyo 103-0013